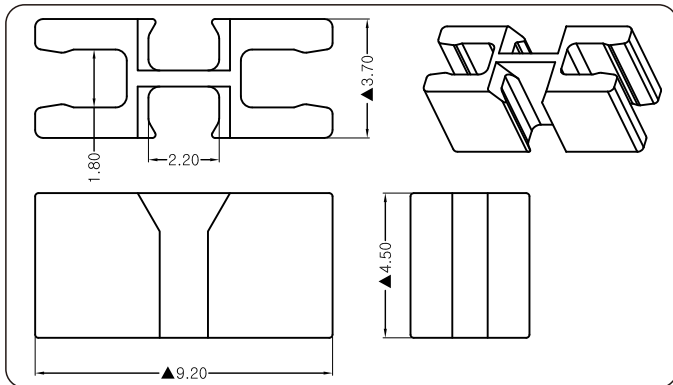
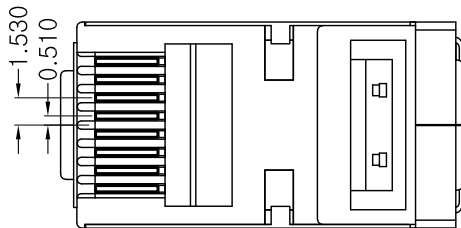
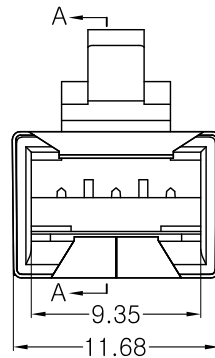
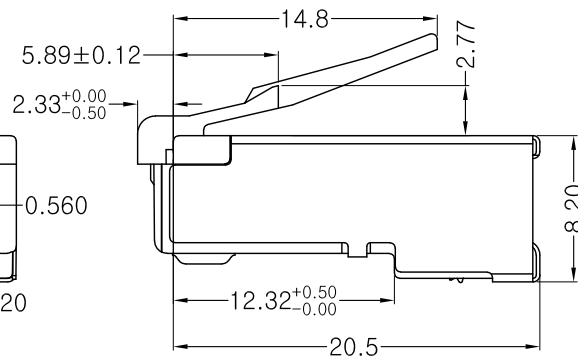
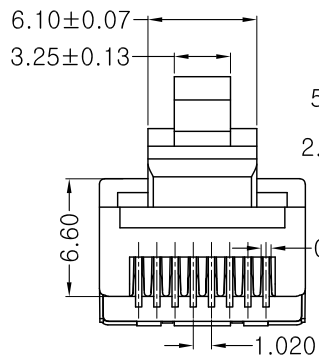
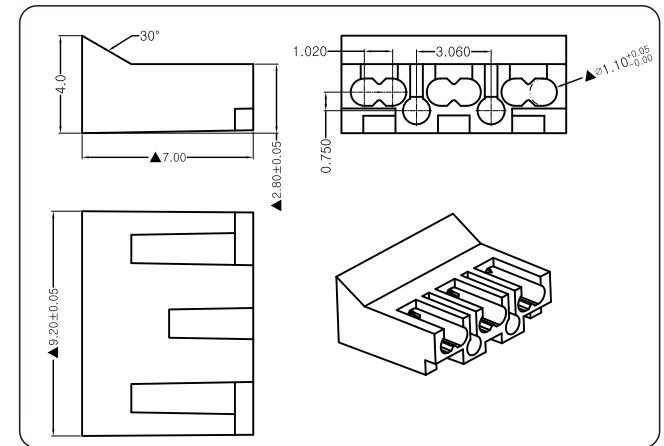


SECTION A-A



Modification Career				
NO:	Modification	Modified by	Approved by	Date



NOTES:

- Operation Temperature: -40°C ~ +85°C.
- Electrical Characteristics:
  - 1>Rated Current: 125V AC, 1.5A@25°C.
  - 2>Contact Resistance: 20mΩ Max.
  - 3>Insulation Resistance: 500MΩ Min, 100V DC/min.
  - 4>Voltage Proof: 1000V AC/1 minute no breakdown.
- Mechanical Characteristics:
  - 1>Insertion Force & Withdrawal Force: 30N Max.
  - 2>Durability: 750 cycles Min.
- Environmental compliance:
  - 1>the products are compliant with the RoHS, and REACH etc.



Designed by		Unit	mm	Client		Tolerances	
		REV		Weight		.X	±0.1
Verified by		Scale		Material		.XX	±0.05
		Product NO:	BC6AC7RJ45-50			Angle	±0.5°
Approved by		Description:				First angle projection	
		Cat. 6A FTP modular plug, 3 prong, w/liner+sleds, RJ45, 8P8C, gold plating 50μ, UL 94V0 Materials					