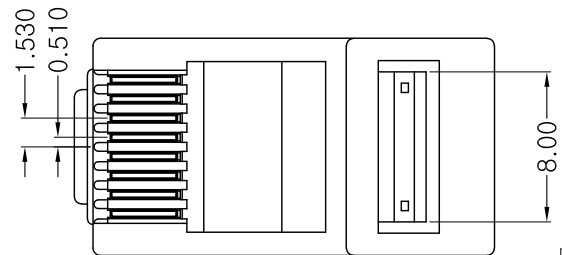
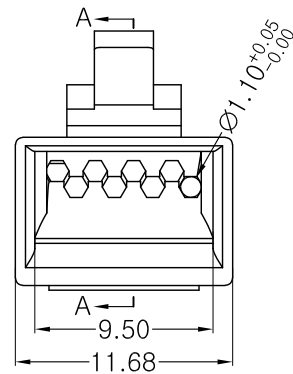
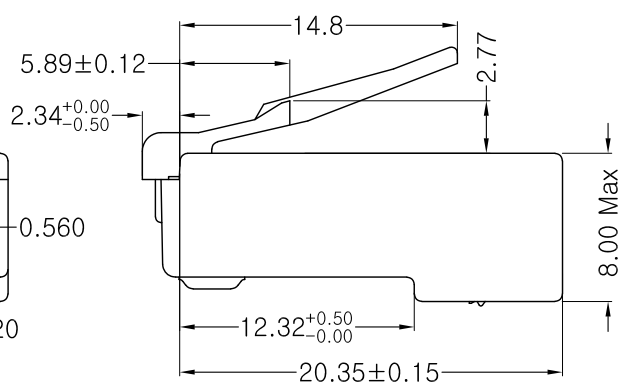
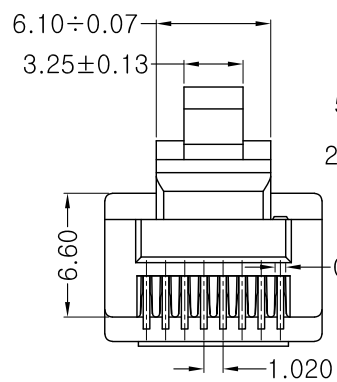
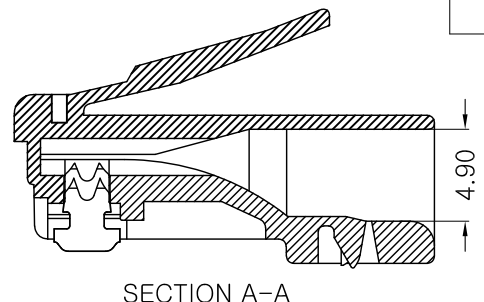
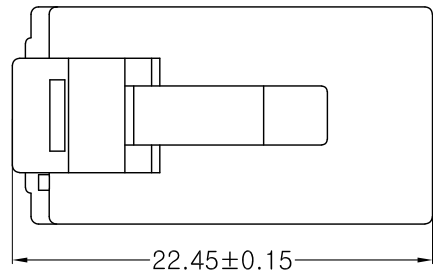


Modification Career

NO:	Modification	Modified by	Approved by	Date



NOTES:

- Operation Temperature: -40°C ~ +85°C.
- Electrical Characteristics:
 - Rated Current: 125V AC, 1.5A@25°C.
 - Contact Resistance: 20mΩ Max.
 - Insulation Resistance: 500MΩ Min, 100V DC/min.
 - Voltage Proof: 1000V AC/1 minute no breakdown.
- Mechanical Characteristics:
 - Insertion Force & Withdrawal Force: 30N Max.
 - Durability: 750 cycles Min.
- Environmental compliance:
 - the products are compliant with the RoHS, and REACH etc.

Made in Taiwan



Designed by	Unit	mm	Client	Tolerances
	REV		Weight	
Verified by	Scale		Material	.X ±0.1
	Approved by	Product NO:		.XX ±0.05
		BC6RJ45-100		Angle ±0.5°
	Description:		First angle projection	
	RJ45 CONNECTOR Cat6 UTP One piece type, 3prong, 100pcs/Jar, 50u (UL94V0)			